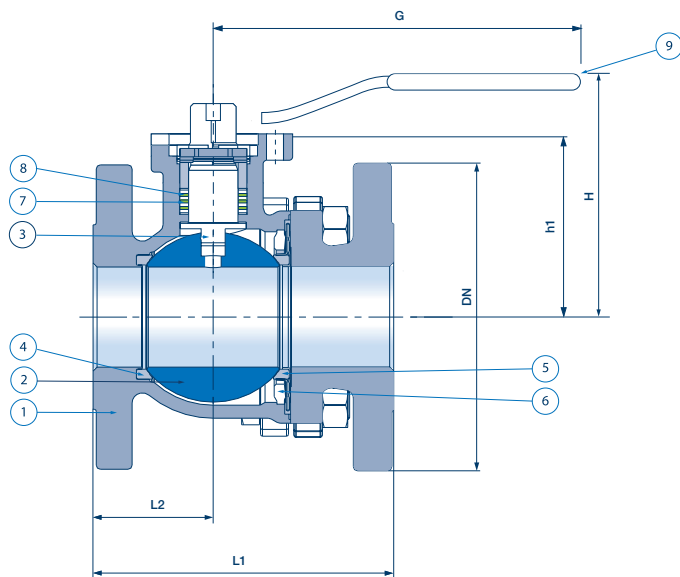


BALL VALVES

KLINGER KHE-FK, 2-piece, Fire-safe
With flanges, short desing



PARTS

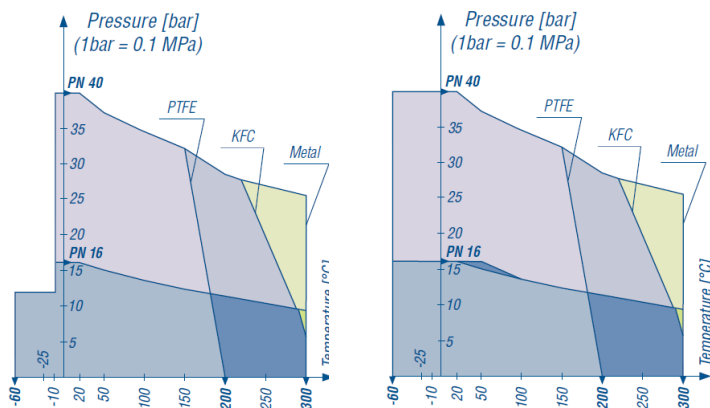
No.	Part	Material	
		VIII	XC
1	Body	1.0619	1.4408
2	Ball	1.4301	1.4404
3	Stem	1.4104	1.4571, 1.4401
4	Sealing ring	KFC-25	
5	Sealing element	KFC-25	
6	Supporting ring	SINT C39	1.4404
7	Stuffing box lamell	K-Flon	
8	Sealing ring	Graphite	
9	Handle	Nickel plated steel	

DIMENSIONS AND WEIGHTS

DN	L1	L2	H	G	h1	ISO	kg
15	115	50	80	132	35	F04	2.3
20	120	45	94	162	46	F04	3.4
25	125	45	98	162	50	F04	4.1
32	130	50	106	252	65	F05	6.2
40	140	50	113	252	72	F05	7.8
50	150	60	131	317	90	F07	11.4
65	170	65	144	317	100	F07	16.2
80	180	65	162	502	122	F10	23.9
100	190	75	176	502	135	F10	31.6
125	325	125	211	652	175	F12	64
65	170	65	144	315	100	F07	16.2
100	190	75	176	500	135	F10	31.6
125	325	125	211	650	175	F12	64
150	350	140	234	650	195	F12	62.7
200	400	165	300	650	236	F12	99.8

* Number of drilling holes ** Flange dimensions of DN 15-50 and DN 80 are equal in PN16 and PN40

PRESSURE AND TEMPERATURE



OPTIONS

Metal seats

APPROVALS

TA-Luft

Fire-safe according to EN ISO 10497

Leakage rate according to A EN 12266-1 with KFC-sealing

EN 14141 for natural gas transportation in pipelines

EN 13774 for gas distribution systemes up to 16 bar

BAM: Suitability for oxygen (max 60 °C, max PN16)

Antistatic